

# Print Format Converter

Format Converter (KHP-FC1)

Kaihatsu Techno Centre Pvt. Ltd. is engaged in designing and development of Supervisory Control and Data Acquisition (SCADA) software.

While deploying the software, it was noticed that there is a need for various small hardware interface units. They are mainly needed because of the fact that each instrument has its own printing format. There is a need of print format converter so that the instrument printing format can be converted to any format as defined by the user. As these units need to be custom built, Kaihatsu Techno Centre has decided to promote these custom make hardware products to match the print report issues.

One such product in this basket is Print Format Converter. It converts the various instrument printing reports to other formats. Following are the features offered:

- **RS232 Input:** The serial printer output of any instrument can be connected..
- **Any Output:** The output of the converter can be in Centronics™ or RS 232 serial. Hence both types of printers can be connected. .
- **Embedded Design:** The design is totally Industrial Standard embedded 386 based. The various input parameters are programmable using RS232 C port.
- **Programmable Print Format:** Any print format can be selected by user.
- **Serial Programming on Field:** The register Mapping can be programmed on field using serial interface.
- **Real Time Clock:** RTC is included to add date time stamping of the report.
- **Robust Power Supply:** The design has built in power supply, which can take the voltage swing from 9V DC to 12V DC. Special request for 48V DC power rail is also available.
- **Dot Matrix Output:** The print formats can be in Dot matrix mode.
- **Easy Mounting:** Industrial Standard mechanical mounting on DIN Rail

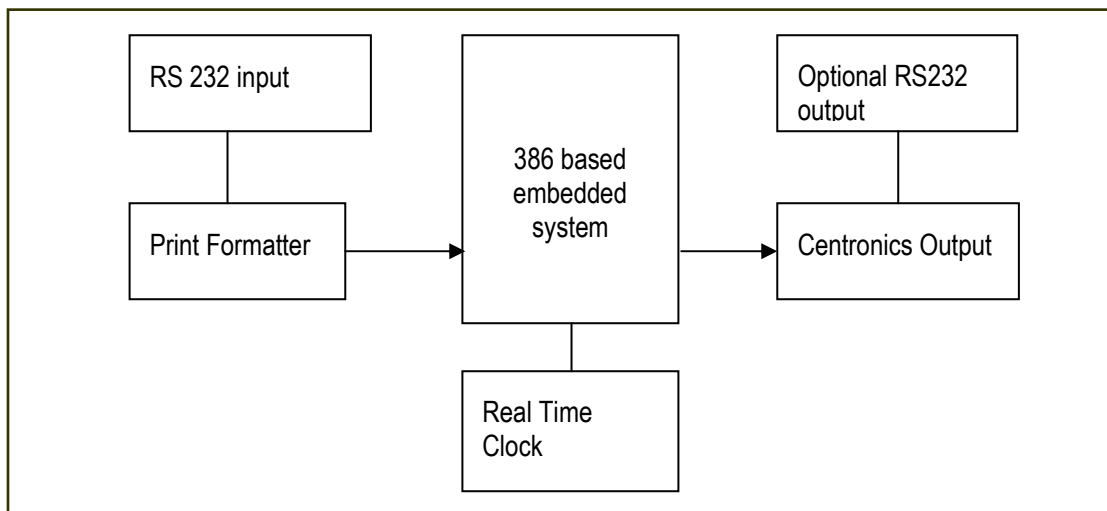


Figure: Block Diagram of Print Format Converter

## Technical Specifications:

- **Supply Voltage** : 9 V DC to 12 V DC. (48V on request)  
90 V to 270 V AC/DC SMPS is provided
- **Supply Current** : 350 mA
- **Max. Baud Rate** : 9,600 bps for all ports, One Stop, One Start, 8 Bit Data and No parity
- **Output** : Centronics or Serial Printer
- **Output Format** : Dot Matrix
- **Print Report Format** : User Definable
- **Mounting** : Four Screws or DIN Rail
- **Mechanical Dimensions** : 142 mm X 56 mm X 32 mm
- **Indicators** : Power On LED
- **Environment** : Temperature: -10 OC to + 65 OC. Cooling fan is provided  
Humidity: 0% to 95%  
IP 61 casing can be provided



This Product is Designed and Developed by:

**Kaihatsu Techno Centre Pvt. Ltd.**

36B, Solaris Building 1, Baji Pasalkar Marg, Saki Vihar,

Andheri (East), Mumbai – 400 072.

Telephone: 91 – 22 – 2857 6348

Telefax: 91 – 22 – 2857 2188

Email: [sales@ktcpl.com](mailto:sales@ktcpl.com)

Visit us: <http://www.ktcpl.com>

Specifications are subject to change without notice.