

SMS Gateway

Kaihatsu Techno Centre Pvt. Ltd. is engaged in designing and development of Supervisory Control and Data Acquisition (SCADA) software.

While deploying the software, it was noticed that there is a need for various small hardware interface units. They are mainly needed because of the fact that applications are different for every installation. As these units need to be custom built, Kaihatsu Techno Centre has decided to promote these custom make hardware products to match the unique needs.

One such product in this basket is SMS Gateway. It sends a SMS to one or multiple users based on the alarm condition input. The alarm condition can be generated using RS 232 or RS 485 port. It also can be generated using standard Digital Inputs. Maximum 250 various types of Alarm SMS can be generated.

Following are the features offered:

- **Any Input:** The gateway supports RS 232 or RS 485 input. The input levels are industrial standard. It also supports the digital inputs. or a SMS as input
- **Any SMS:** The gateway will send SMS to one or multiple user. It also can send specific SMS to specific user based on Alarm condition. E.g Temperature alarm SMS can be send to specific users and pressure alarm SMS can be send to another set of people
- **Microcontroller Based Design:** The design is totally Industrial Standard Microcontroller based. The various input parameters are programmable.
- **Programmable SMS Mapping:** There can be 250 various SMS alarms mapped to various alarm conditions.
- **Dual UART Design:** The design with two serial ports. One connected to GSM and other can be used for receiving the serial alarms or for programming.
- **Serial Programming on Field:** The SMS text and numbers can be programmed on field using serial interface from Laptop Windows Hyper-terminal[®].
- **Robust Power Supply:** The design has built in power supply, which can take the voltage swing from 9V DC to 24V DC. Special request for 48V DC power rail is also available.
- **Easy Mounting:** Industrial Standard mechanical mounting on DIN Rail

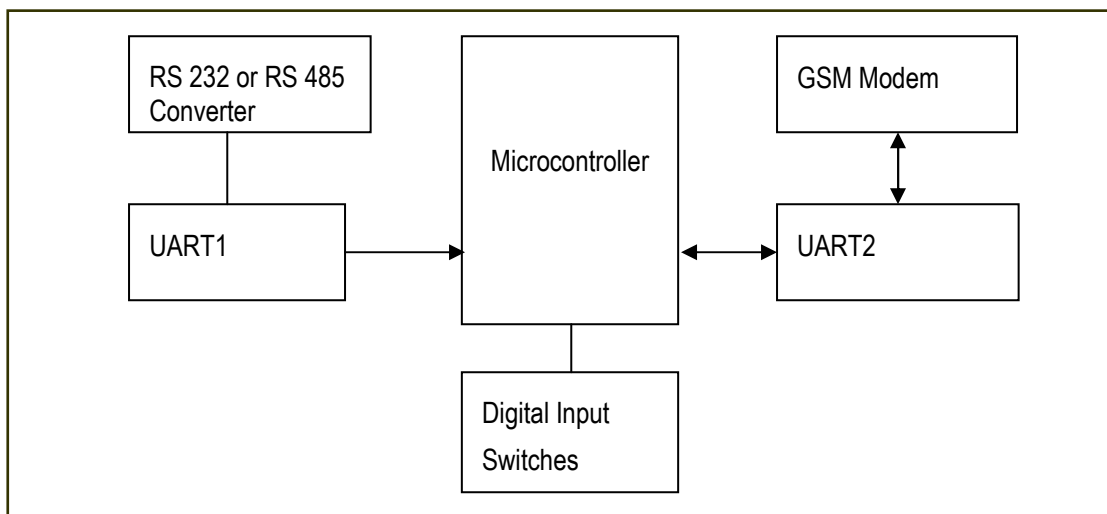


Figure: Block Diagram of SMS Gateway

Technical Specifications:

- **Supply Voltage** : 9 V DC to 24 V DC. (48V on request)
90 V to 270 V AC/DC SMPS can be provided (Optional)
- **Supply Current** : 750 mA during Receiving (5W consumption)
1.5 Amp during Transmission (9W consumption)
- **Max. Baud Rate** : 9,600 bps for all ports, One Stop, One Start, 8 Bit Data and
No parity
- **GSM** : Any GSM network on SIM card
- **Maximum Alarm sms** : 250
- **Maximum Digital Inputs** : 8
- **Power Off Memory** : 20 years
- **Mounting** : Four Screws or DIN Rail
- **Mechanical Dimensions** : 142 mm X 56 mm X 32 mm
- **Indicators** : Power On LED and LEDs on both Rx, Tx lines on both
channels
- **Environment** : Temperature: -10 OC to + 65 OC.
Humidity: 0% to 95%
IP 61 casing can be provided



This Product is Designed and Developed by:

Kaihatsu Techno Centre Pvt. Ltd.

36B, Solaris Building 1, Baji Pasalkar Marg, Saki Vihar,
Andheri (East), Mumbai – 400 072.

Telephone: 91 – 22 – 2857 6348

Telefax: 91 – 22 – 2857 2188

Email: sales@ktcpl.com

Visit us: <http://www.ktcpl.com>

Specifications are subject to change without notice.