

Power Line Modem

Power Line Communication Modem (KHP-PLC1)

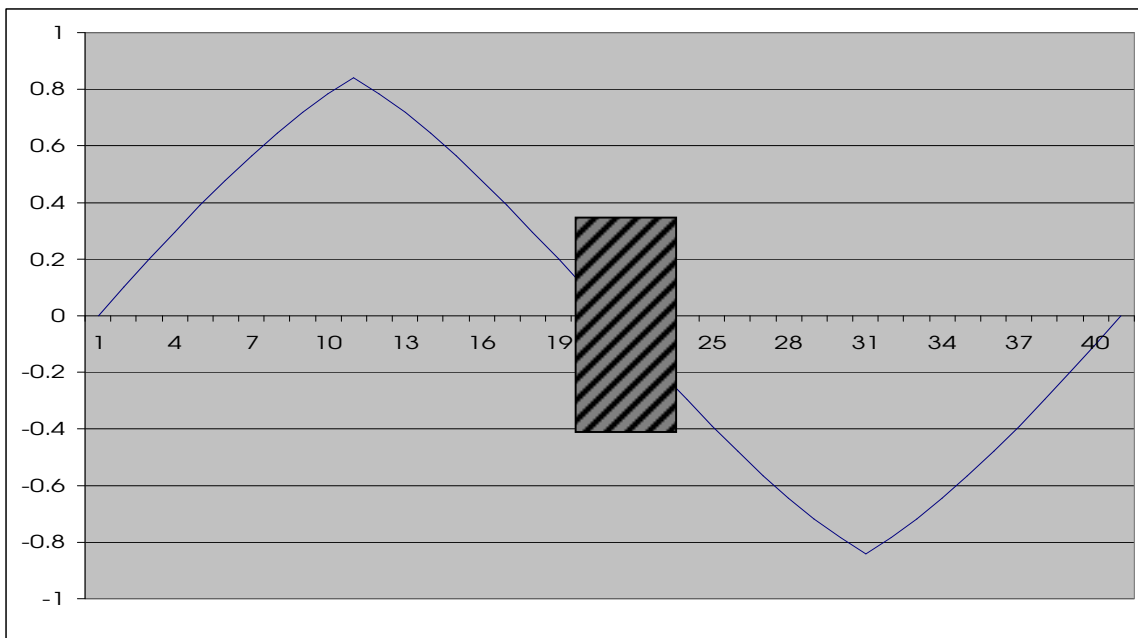
Kaihatsu Techno Centre Pvt. Ltd. is engaged in designing and development of Supervisory Control And Data Acquisition (SCADA) software.

While deploying the software, it was noticed that there is a need for various small hardware interface units. There is a need of data transfer. One of the best ways of doing a data transfer is on the existing mains line. This reduces the infrastructure cost. These modems works on standard 230V/ 50Hz line hence they are ideal for small data transfer in electrical meters, other utility meters and Real Time Monitoring applications

One such product in this basket is Power Line Carrier Modem. As they are manufactured in India, they are suitable for all the worst local conditions.

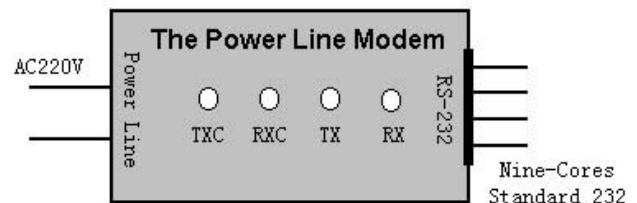
Fundamental Operation:

The power line carrier modem works by pumping the data packages in FSK modulation during the zero crossing of mains cycle. Following picture shows the data pattern



Following are the features offered:

- **Simple Connection:** Just plug the modem in Mains and one wire to RS232, the modem will start working.
- **RS 232 Control:** The Modem works on RS 232 input. The full trans-receiver functionality is achieved using the RS 232 controls.



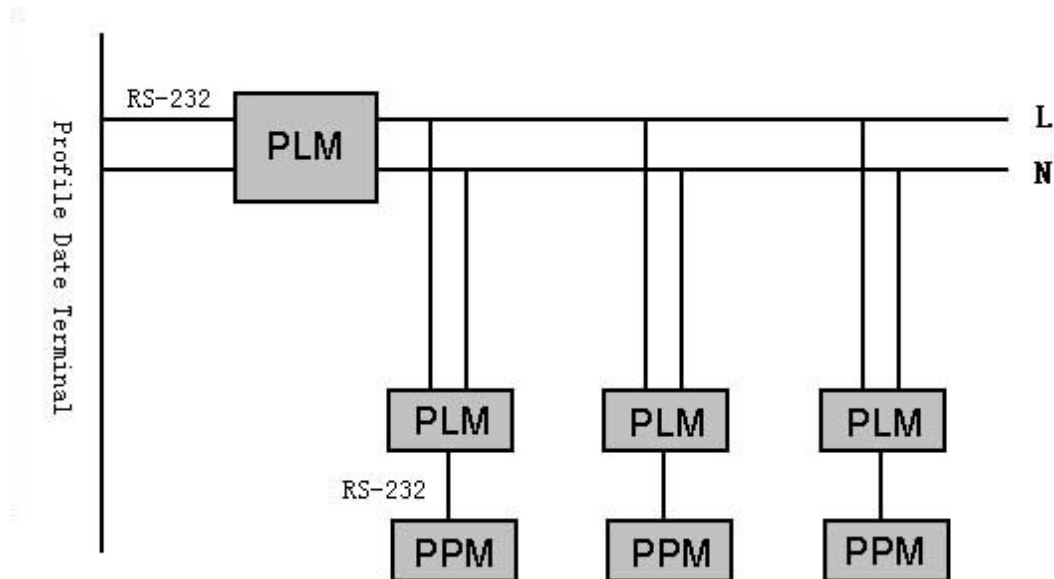


Figure: Networking using Power Line Carrier Modem

Technical Specifications:

- **Supply Voltage** : 230 V 20%
- **Supply Current** : 250 mA
- **Max. Baud Rate** : 9,600 bps
- **Mains Frequency** : 50 Hz 5%
- **Temperature** : -10 to 70 degree centigrade
- **Relative Humidity** : 95% max
- **RS 232 pins** : Rx (2), Tx (3), DTR (4), RTS (7) & Gnd (5)
- **Mounting** : Four Screws or DIN Rail
- **Mechanical Dimensions** : 112 mm X 56 mm X 32 mm



This Product is Designed and Developed by:

Kaihatsu Techno Centre Pvt. Ltd.

36B, Solaris Building 1, Baji Pasalkar Marg, Saki Vihar,
Andheri (East), Mumbai – 400 072.

Telephone: 91 – 22 – 2857 6348

Telefax: 91 – 22 – 2857 2188

Email: sales@ktcpl.com

Visit us: <http://www.ktcpl.com>

Specifications are subject to change without notice.